

tecnopress novanta cinquecento mille duemila tremila SERIES

INDUSTRIAL

TECHNICAL DETAILS

TP gas			
Type	Min. modulation output kW	Min. application output kW	Max output kW
TP120A	300	840	1.200
TP165A	320	1.154	1.650
TP205A	340	1.433	2.050
TP90A	320	1.610	2.300
TP91A	480	1.869	2.670
TP92A	480	2.135	3.050
TP93A	550	2.870	4.100
TP512A	600	3.150	4.500
TP515A	770	3.640	5.200
TP520A	1.000	4.480	6.400
TP525A	2.000	6.825	9.750
TP1030	2.500	9.310	13.300
TP1050	3.500	10.850	15.500
TP1080	3.500	13.300	19.000
TP2000	3.600	15.400	22.000
TP2500	4.500	18.400	27.000
TP3000	5.500	27.300	39.000



TP1030



TP2000

TLX gas a basso NOx			
Type	Min. modulation output kW	Min. application output kW	Max output kW
TLX83	200	580	830
TLX115	300	805	1.150
TLX225	230	1.000	2.280
TLX92R	340	1.890	2.700
TLX92.1	650	2.317	3.650
TLX512R	850	2.440	4.200
TLX512.1	700	3.147	4.500
TLX515.1	580	4.126	5.900
TLX520.1	650	4.760	6.800
TLX525.1	860	5.525	7.900
TLX1030R	1.090	6.475	9.250
TLX1030.1	1.550	9.790	14.000
TLX2020	2.000	11.200	16.000
TLX2030	2.400	16.083	23.000
TLX2040	3.900	22.050	31.500
TLX3050	4.900	27.300	39.000



TLX1030R



TLX2040

For NO_x emissions < 30 - 50 mg/kWh consult our sales offices.

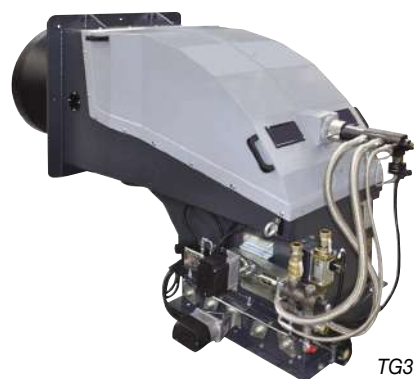


TECHNICAL DETAILS

TG light oil			
Type	Min. modulation output kW	Min. application output kW	Max output kW
TG90	264	1.330	1.900
TG91	698	1.465	2.093
TG92	849	1.791	2.558
TG510	1.314	2.767	3.953
TG515	1.628	3.419	4.884
TG520	2.326	4.884	6.977
TG525	2.000	6.825	9.750
TG1030	2.500	9.310	13.300
TG1050	3.500	10.850	15.500
TG1080	3.500	13.300	19.000
TG2000	3.600	15.400	22.000
TG2500	4.500	18.400	27.000
TG3000	5.500	27.300	39.000



TG1080



TG3000

TN heavy oil viscosity up to 400 cSt at 50°C (50°E at 50°C)			
Type	Min. modulation output kW	Min. application output kW	Max output kW
TN90	264	1.330	1.900
TN91	698	1.465	2.093
TN92	849	1.791	2.558
TN510	1.314	2.767	3.953
TN515	1.628	3.419	4.884
TN520	2.326	4.884	6.977
TN525	2.000	6.825	9.750
TN1030	2.500	9.310	13.300
TN1050	3.500	10.850	15.500
TN1080	3.500	13.300	19.000
TN2000	3.600	15.400	22.000
TN2500	4.500	18.400	27.000
TN3000	5.500	27.300	39.000



TN1050



TN2500

tecno**press novanta cinquecento** mille duemila tremila SERIES

INDUSTRIAL

TECHNICAL DETAILS

TPBY heavy oil pneumatic atomization with viscosity
up to 4000 cSt at 50°C (503°E at 50°C)

Type	Min. modulation output kW	Min. application output kW	Max output kW
TPBY90	670	1.400	2.000
TPBY91	500	1.750	2.500
TPBY92	700	2.100	3.000
TPBY510	1.100	3.500	5.000
TPBY515	1.200	4.200	6.000
TPBY520	1.400	4.900	7.000
TPBY525	2.000	6.825	9.750
TPBY1030	2.550	9.310	13.300
TPBY1050	3.100	10.850	15.500
TPBY1080	3.800	13.300	19.000
TPBY2000	3.600	15.400	22.000
TPBY2500	4.500	18.400	27.000
TPBY3000	5.500	27.300	39.000



TPBY525



TPBY3000

HTP dual fuel gas/light oil

Type	Min. modulation output kW	Min. application output kW	Max output kW
HTP120A	300	840	1.200
HTP165A	320	1.154	1.650
HTP205A	340	1.433	2.050
HTP90A	320	1.610	2.300
HTP91A	480	1.869	2.670
HTP92A	480	2.135	3.050
HTP93A	550	2.870	4.100
HTP512A	600	3.150	4.500
HTP515A	770	3.640	5.200
HTP520A	1.000	4.480	6.400
HTP525A	2.000	6.825	9.750
HTP1030	2.500	9.310	13.300
HTP1050	3.500	10.850	15.500
HTP1080	3.500	13.300	19.000
HTP2000	3.600	15.400	22.000
HTP2500	4.500	18.400	27.000
HTP3000	5.500	27.300	39.000



HTP520



HTP3000

TECHNICAL DETAILS

HTLX dual fuel gas/light oil low NOx			
Type	Min. modulation output kW	Min. application output kW	Max output kW
HTLX83	200	580	830
HTLX115	300	805	1.150
HTLX225	230	1.000	2.280
HTLX92R	340	1.890	2.700
HTLX92.1	650	2.317	3.650
HTLX512R	850	2.440	4.200
HTLX512.1	700	3.147	4.500
HTLX515.1	580	4.126	5.900
HTLX520.1	650	4.760	6.800
HTLX525.1	860	5.525	7.900
HTLX1030R	1.090	6.475	9.250
HTLX1030.1	1.550	9.790	14.000
HTLX2020	2.000	11.200	16.000
HTLX2030	2.400	16.083	23.000
HTLX2040	3.900	22.050	31.500
HTLX3050	4.900	27.300	39.000



For NO_x emissions < 30 - 50 mg/kWh consult our sales offices.



KTP dual fuel gas/heavy oil with viscosity up to 400 cSt at 50°C (50°E at 50°C)			
Type	Min. modulation output kW	Min. application output kW	Max output kW
KTP90	320	1.610	2.300
KTP91	480	1.869	2.670
KTP92	480	2.135	3.050
KTP93	550	2.870	4.100
KTP512	600	3.150	4.500
KTP515	770	3.640	5.200
KTP520	1.000	4.480	6.400
KTP525	2.000	6.825	9.750
KTP1030	2.500	9.310	13.300
KTP1050	3.500	10.850	15.500
KTP1080	3.500	13.300	19.000
KTP2000	3.600	15.400	22.000
KTP2500	4.500	18.400	27.000
KTP3000	5.500	27.300	39.000



TECHNICAL DETAILS

KTPBY dual fuel gas/heavy oil with viscosity up to 4000 cSt at 50°C (530°E at 50°C)

Type	Min. modulation output kW	Min. application output kW	Max output kW
KTPBY90	320	1.610	2.300
KTPBY91	480	1.869	2.670
KTPBY92	480	2.135	3.050
KTPBY93	550	2.870	4.100
KTPBY512	600	3.150	4.500
KTPBY515	770	3.640	5.200
KTPBY520	1.000	4.480	6.400
KTPBY525	2.000	6.825	9.750
KTPBY1030	2.500	9.310	13.300
KTPBY1050	3.500	10.850	15.500
KTPBY1080	3.500	13.300	19.000
KTPBY2000	3.600	15.400	22.000
KTPBY2500	4.500	18.400	27.000
KTPBY3000	5.500	27.300	39.000



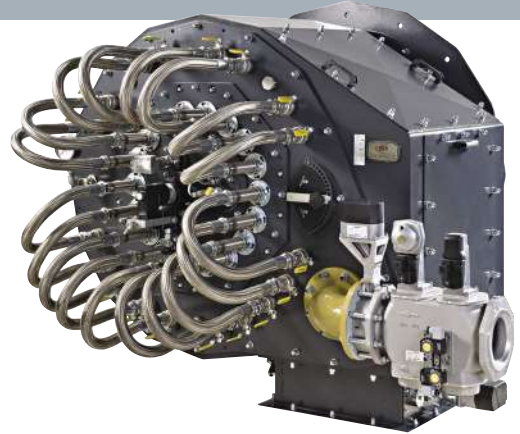
KTPBY525



KTPBY3000

TECHNICAL DETAILS

URB multifuel			
Type	Min. modulation output kW	Min. application output kW	Max output kW
URB5	1.167	4.900	7.000
URB10	1.700	7.000	10.200
URB15	2.567	10.200	15.400
URB20	2.983	15.400	17.900
URB25	3.783	17.900	22.700
URB30	5.050	22.700	30.300
URB32	5.533	30.300	33.200
URB35	5.967	33.200	35.800
URB40	6.917	35.800	41.500
URB45	7.750	41.500	46.500
URB50	8.500	46.500	51.000
URB60	10.067	51.000	60.400
URB70	11.167	60.400	67.000
URB80	13.300	67.000	80.000



URB80

For NO_x emissions < 80 - 50 - 30 mg/kWh consult our sales offices.

